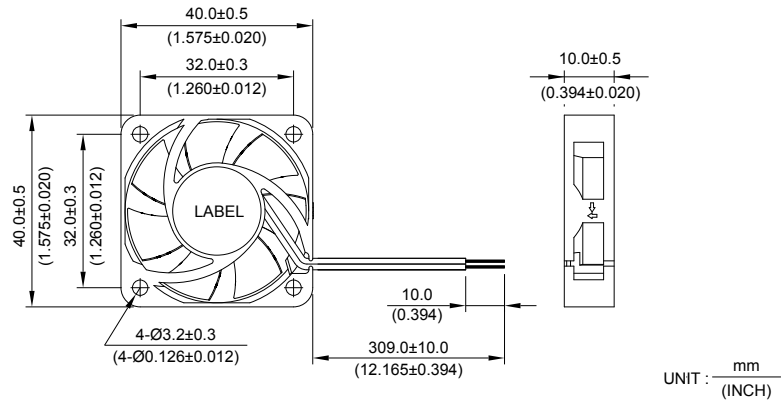


New



AFB 40 x 40 x 10 MM SERIES

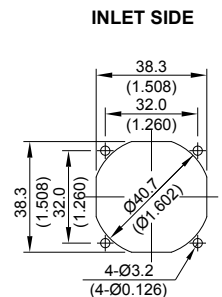
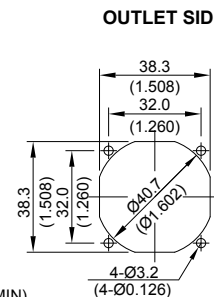
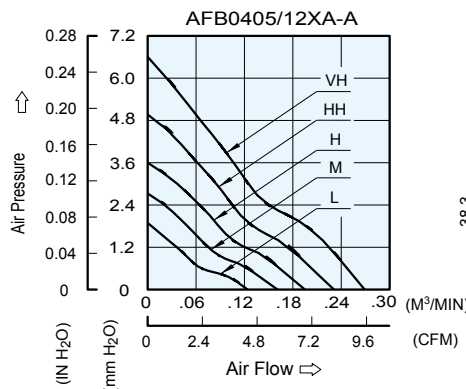
■ DIMENSIONS DRAWING



- * Bearing Type
Ball Bearings
- * Material
Impeller & Frame : Plastic (UL 94V-0)
- * Lead Wires :
UL 1007 AWG #28 OR Equivalent
Red Wire Positive(+)
Black Wire Negative(-)
- * Weight : 14.0g (0.49 oz)
- * Rib Type Only

■ P & Q CURVE (AT RATED VOLTAGE)

■ MOUNTING PANEL CUTOUT



MODEL			Rated Voltage	Operating Voltage Range	Input Current	Input Power	Speed	Maximum Air Flow		Maximum Air Pressure		Noise
PART NO.	REV.	FUNCTION	VDC	VDC	Amp	Watt	R.P.M.	m ³ / min	CFM	mmH ₂ O	IN H ₂ O	dB-A
AFB0405LA	-A	-R00 / -F00	5	4.5 to 5.5	0.03	0.15	4000	0.124	4.39	1.73	0.068	16.0
AFB0412LA	-A	-R00 / -F00	12	9.0 to 13.8	0.02	0.24						
AFB0405MA	-A	-R00 / -F00	5	4.5 to 5.5	0.05	0.25	5000	0.161	5.67	2.65	0.104	21.5
AFB0412MA	-A	-R00 / -F00	12	7.0 to 13.8	0.03	0.36						
AFB0405HA	-A	-R00 / -F00	5	4.5 to 5.5	0.07	0.35	6000	0.195	6.90	3.60	0.140	27.0
AFB0412HA	-A	-R00 / -F00	12	7.0 to 13.8	0.04	0.48						
AFB0405HHA	-A	-R00 / -F00	5	4.5 to 5.5	0.09	0.45	7000	0.231	8.15	4.83	0.190	31.5
AFB0412HHA	-A	-R00 / -F00	12	7.0 to 13.8	0.05	0.60						
AFB0405VHA	-A	-R00 / -F00	5	4.5 to 5.5	0.11	0.55	8000	0.269	9.50	6.42	0.253	35.5
AFB0412VHA	-A	-R00 / -F00	12	7.0 to 13.8	0.06	0.72						

* Function type is optional.
 * The max. air flow and the speed are measured in free air ; max. air pressure is measured at zero air flow.
 * Noise is measured in anechoic chamber in free air, one meter from intake side.
 * All readings are typical values at rated voltage.
 * Specifications are subject to change without notice.